

ISOLATED CURRENT TRANSMITTER USING HALL SENSOR

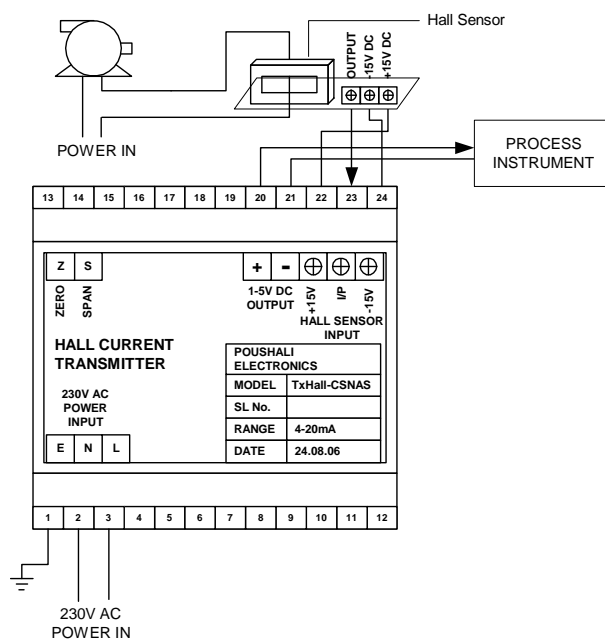
Model No.:- HC Tx230

INTRODUCTION :

The Poushali Electronics make Current Transmitter has been designed to operate the equipments used for current measurement purpose in modern Industries, specially in the POWER , CEMENT, METAL & STEEL, MATERIAL HANDLING sectors.

The Current Transmitter is back panel mounting type and hazard free in operation. It is designed in single card with rugged terminal and used special Hall Sensor. It can measure up to 100Amps current using Hall Sensor and signal is converted to 4-20mA.

Zero and Span adjustment is provided for recalibration



SPECIFICATIONS:

Sensor Type	:	Hall Sensor
Input Range	:	Up to 100Amps
Output	:	4-20mA
Input Power Supply	:	230V AC
Enclosure	:	Back Panel mounting type IP 40 Enclosure. 110mm (H) X 22mm (W) X 70mm (D)
Operating Temperature	:	0 to 55 Deg.C

Poushali Electronics

P/11A, second street, Modern Park,

Kolkata – 700 075,

Ph: 9432249938/ 9331251738/ 2416 1320,2259

Email: info@poushalielectronics.com, subrata.sd@rediffmail.com

Web Mail: www.poushalielectronics.com