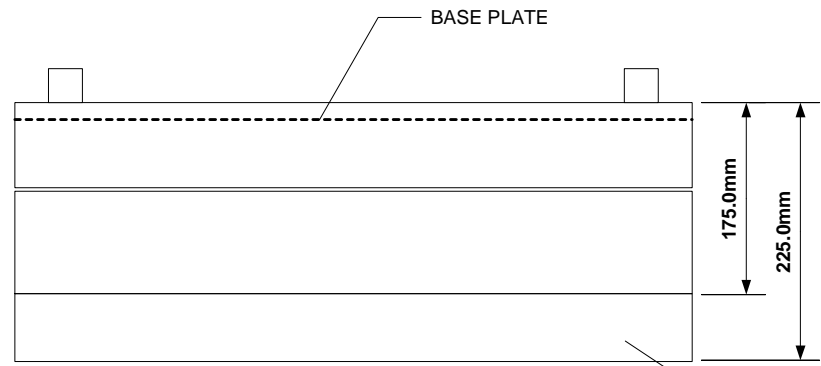


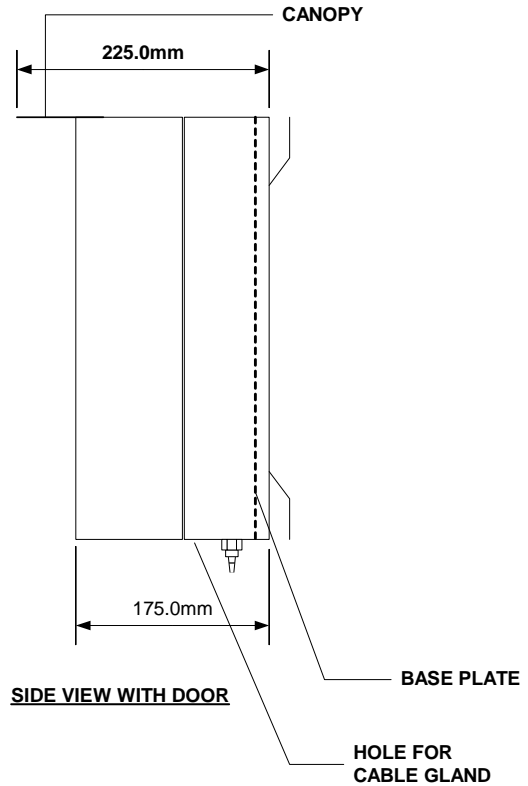
**FRONT VIEW WITH DOOR**

DP PORT



**TOP VIEW WITH DOOR**

CANOPY



**SIDE VIEW WITH DOOR**

BASE PLATE

HOLE FOR CABLE GLAND

**NOTE:  
BASE PLATE SIZE 350mm X 150mm**

**POUSHALI ELECTRONICS  
ENCLOSURE FOR TEMPERATURE AND  
DIFFERENTIAL PRESSURE CONTROLLER**